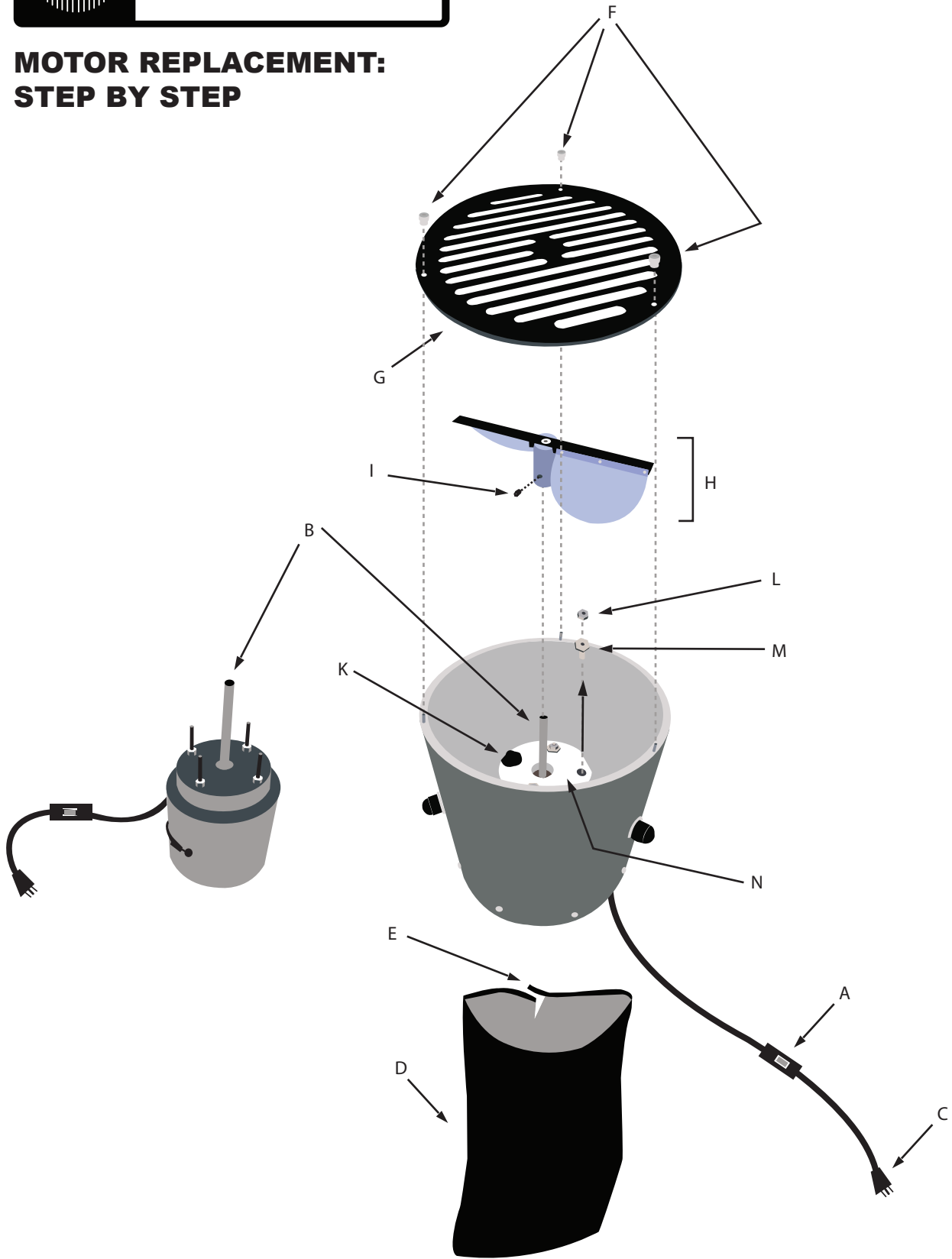


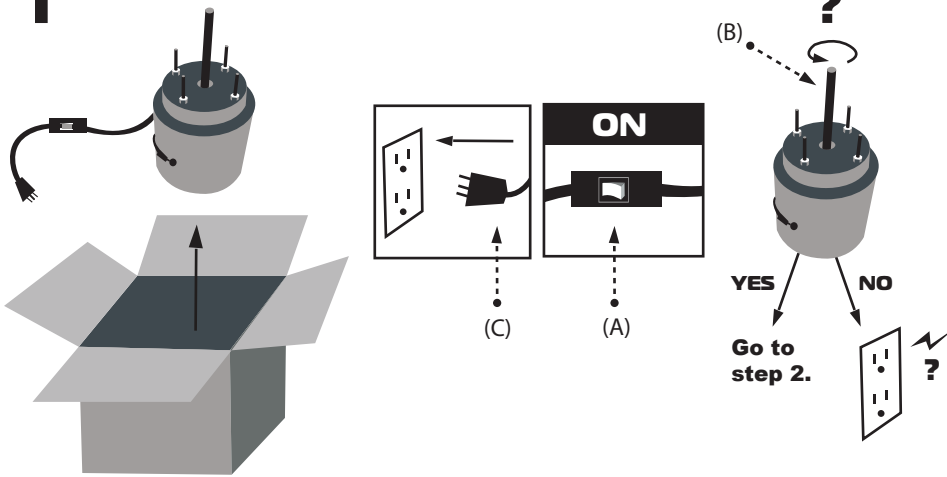


**MOTOR REPLACEMENT:
STEP BY STEP**





1



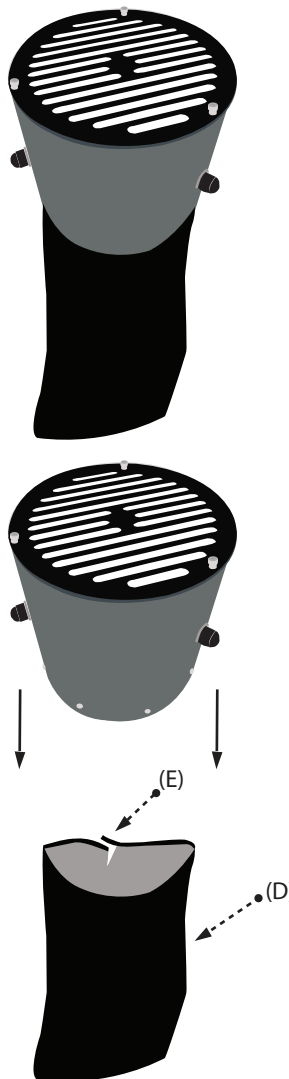
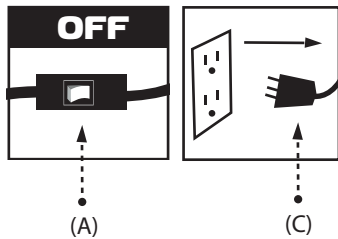
Remove the new motor from its transportation box and place it on a table (the shaft upward). Plug the power cord (C) to an electrical outlet and turn it ON using the On-Off switch (A).

If the motor shaft (B) turns*, go to step #2.

If it doesn't work, verify if the electrical outlet works properly.

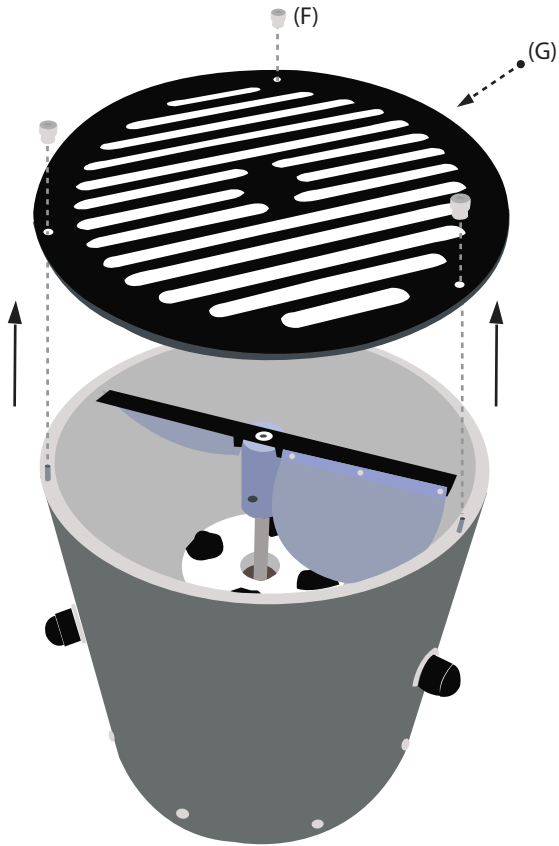
* The motor shaft must turn counterclockwise.

2



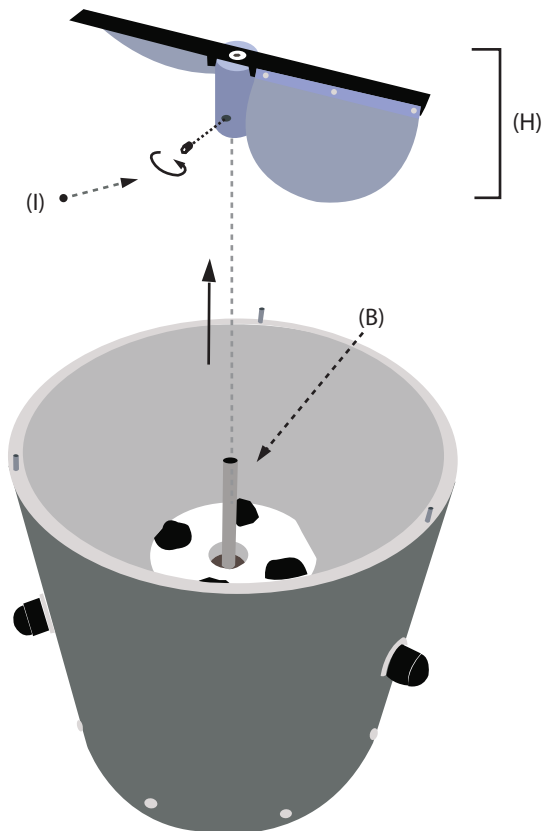
Turn OFF the machine with the ON-OFF switch (A) and unplug the power cord (C) from the electrical outlet. Remove the bag (D) using the Velcro strips (E) on the upper part of the bag.

3



Unscrew the 3 plastic nuts (F) on top of the grate (G) and remove the grate (G).

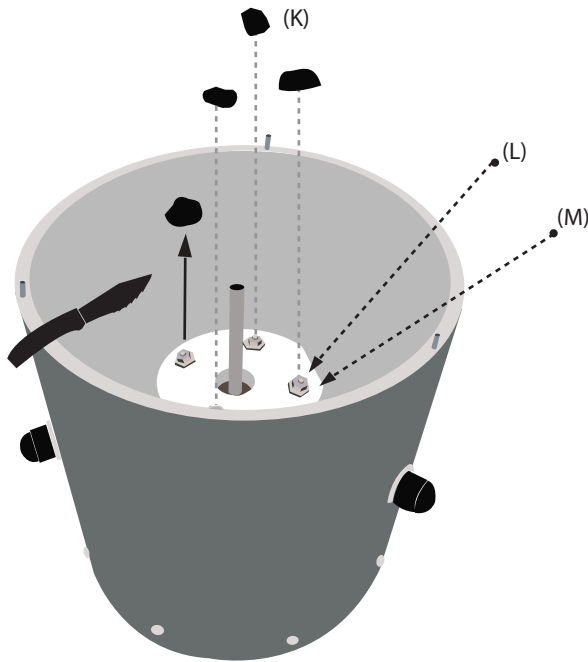
4



To remove the blade assembly (blade + hub) (H) unscrew the blocking screw (I) and lift it from the motor shaft (B).

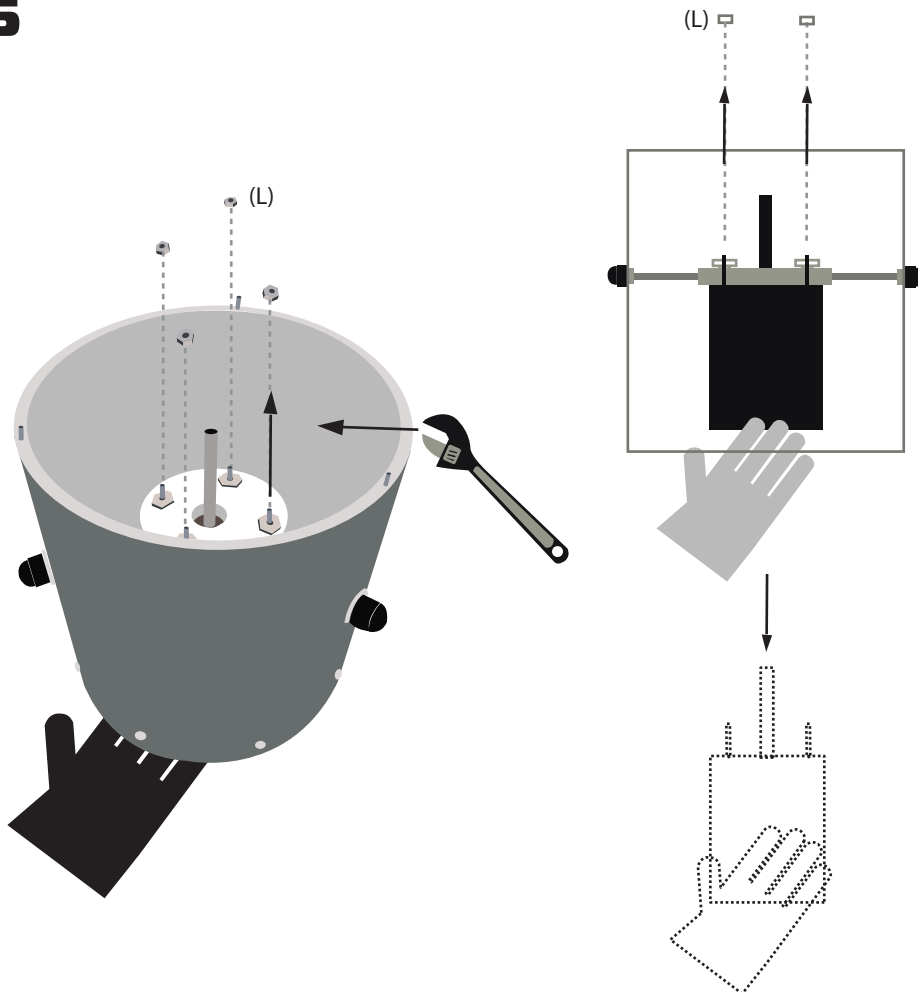
5

With a knife, remove the black glue (K) from the 4 hexagonal head bolts (M) and nuts (L).

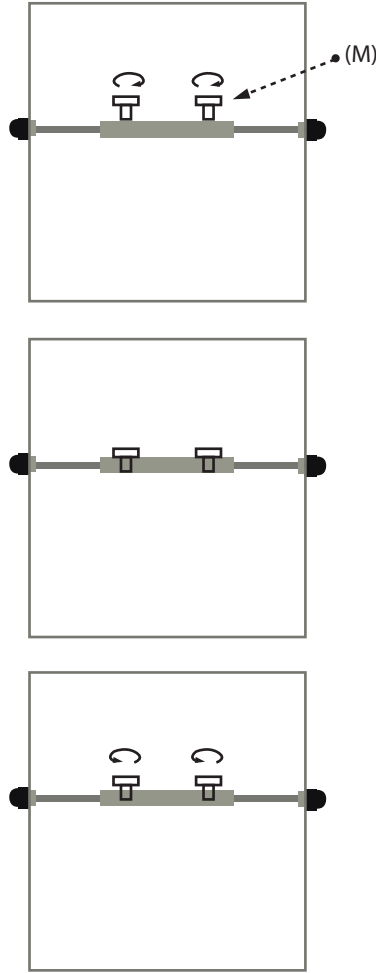
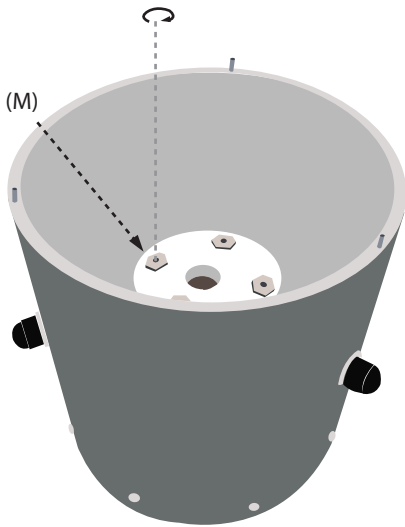


6

Hold the motor base and remove the 4 lock nuts (L). Remove the motor through the bottom of the Trimbox housing.



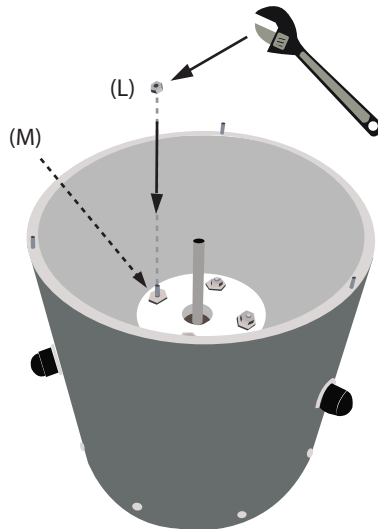
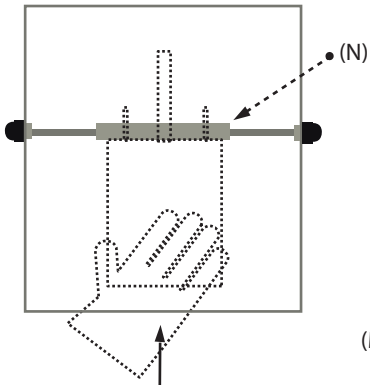
7



Tighten the 4 hexagonal head bolts (M) to the maximum then unscrew them one and a half turn.

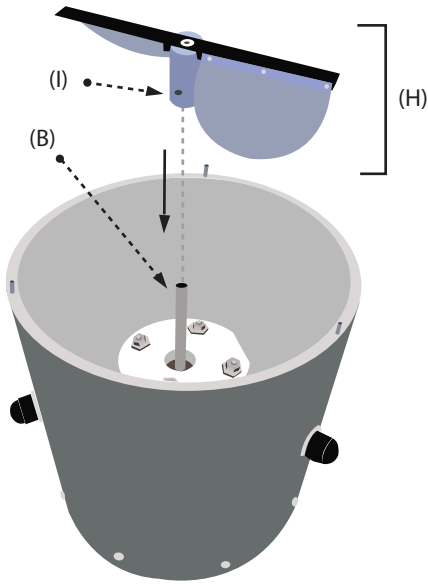
**540 degrees
(1 -1/2 turn)**

8



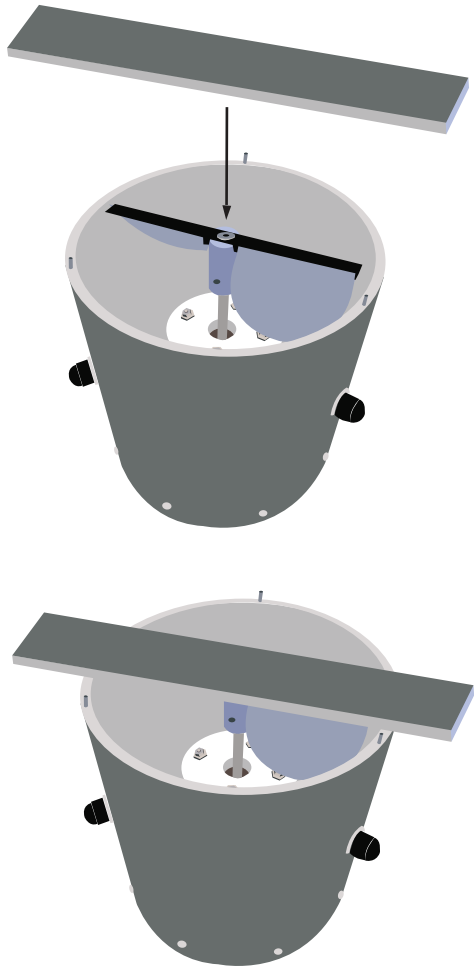
Install the new motor under the motor-hub (N) and screw on the 4 lock-nuts (L) until they touch the 4 hexagonal head bolts (M).

9



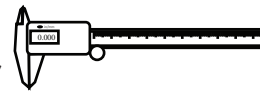
Reinstall the blade-assembly (H) on the motor shaft (B) without tightening the blocking screw (I).

10

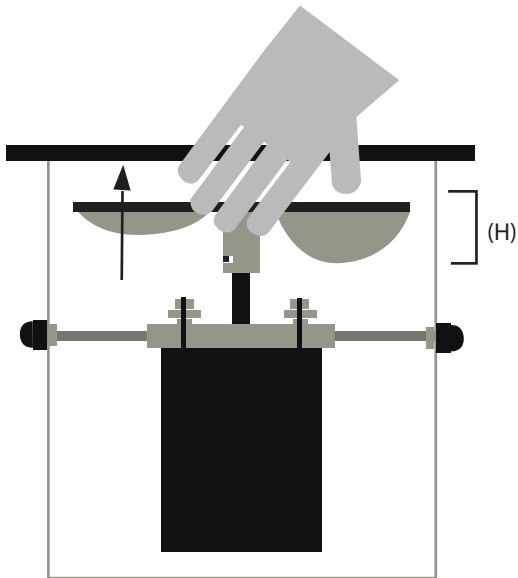


Put a flat, straight and narrow object larger than the Trimbox on top of the machine (later referred to as the "levelling object").

11 Level out the distance by eye. (If you have a Vernier

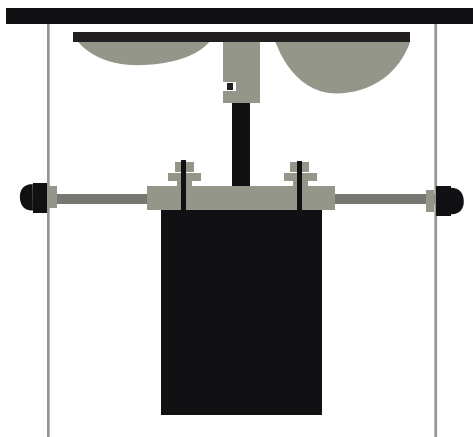
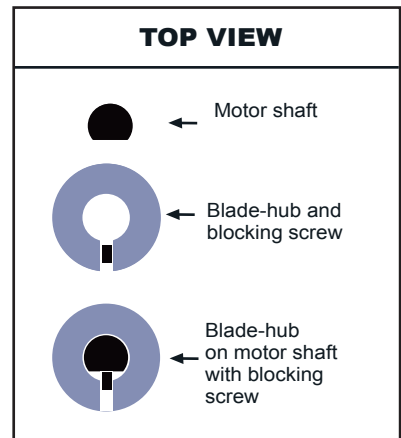
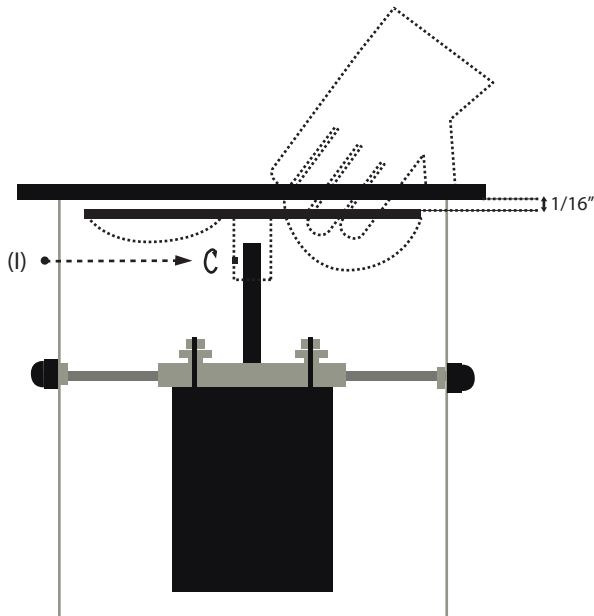


go to step # 14)

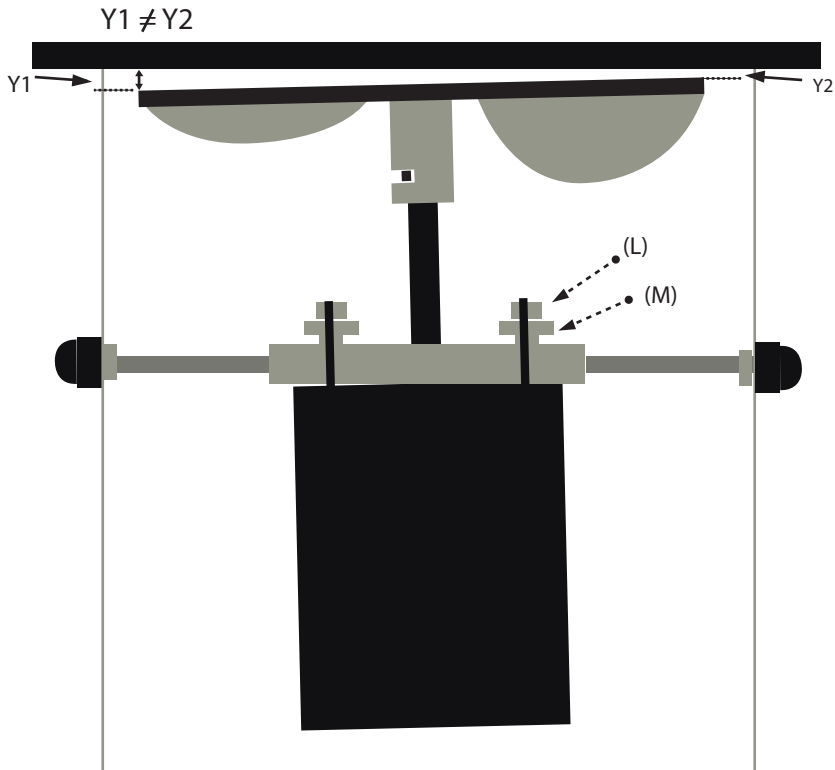


Lift up the blade-assembly (H) and leave a 1/16" space between the levelling object and the top of the blade. Hold it in place and tighten the blocking screw (I).

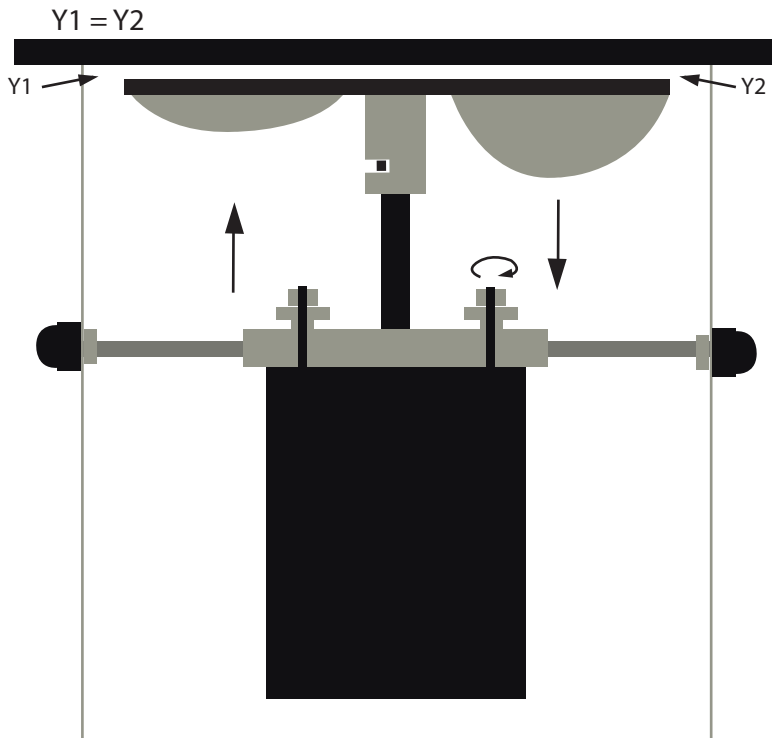
(The blocking screw (I) must be placed to exert a pressure on the flat side of the motor shaft. See diagram "Top view" below)



12 Level out the distance by eye - continued -



**TO RAISE ONE SIDE OF THE BLADE,
TURN THE BOLT CLOCKWISE ON THE OPPOSITE SIDE
OF THE BLADE.**



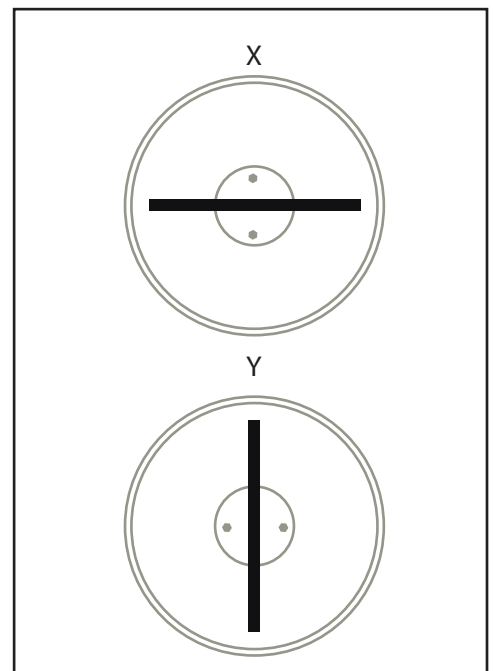
Check if both ends of the blade are at equal distance from the levelling object ($Y1$ & $Y2$).

If YES, screw down the four lock nuts (L) until they touch the hexagonal head bolts (M) without tightening them and go to step # 13.

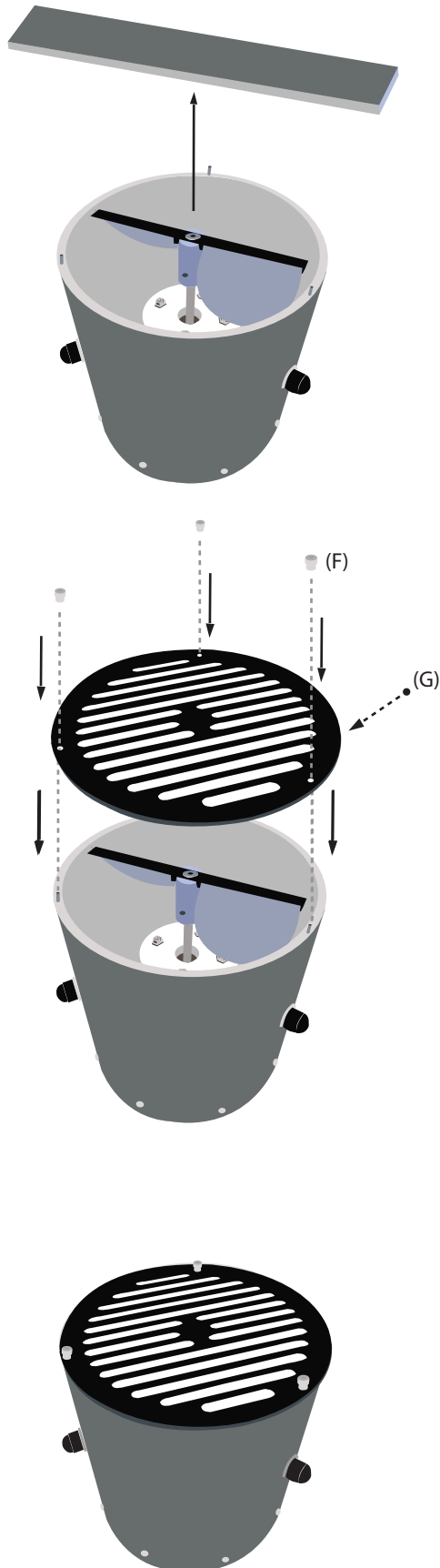
If NOT, use the four hexagonal head bolts (M) on the top of the motor-hub to level out the distance between the blade and the levelling object ($Y1$ & $Y2$). To raise one side of the blade, turn the bolt (M) clockwise on the opposite side of the blade (see diagrams beside).

This levelling has to be done with the blade in two positions: X and Y (see diagram "Levelling in two positions" below) until a uniform distance between the blade and the levelling object is obtained.

Levelling in two positions.



13 Level out the distance by eye -continued-

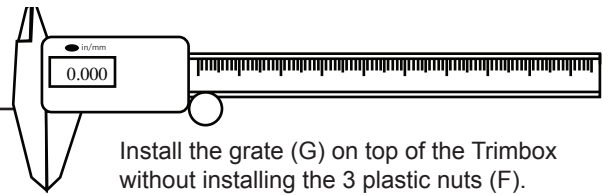


Remove the levelling object on top of the machine.

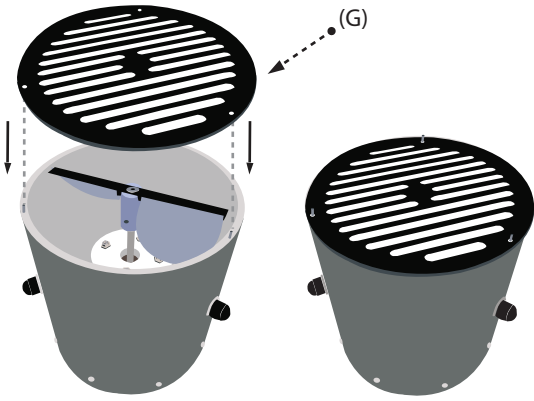
Install the grate (G) and the 3 plastic nuts (F) on top of the grate.

Go to step #15.

14 Level out the distance with a Vernier.

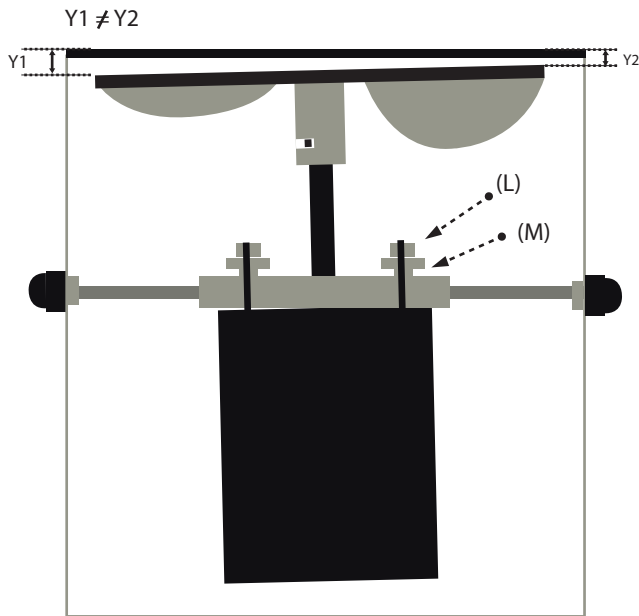


Install the grate (G) on top of the Trimbox without installing the 3 plastic nuts (F).



The distance between the top of the grate and the top of the blade should be approximately 0.190". The blade should be at equal distance to the grate at each extremity (Y1 & Y2).

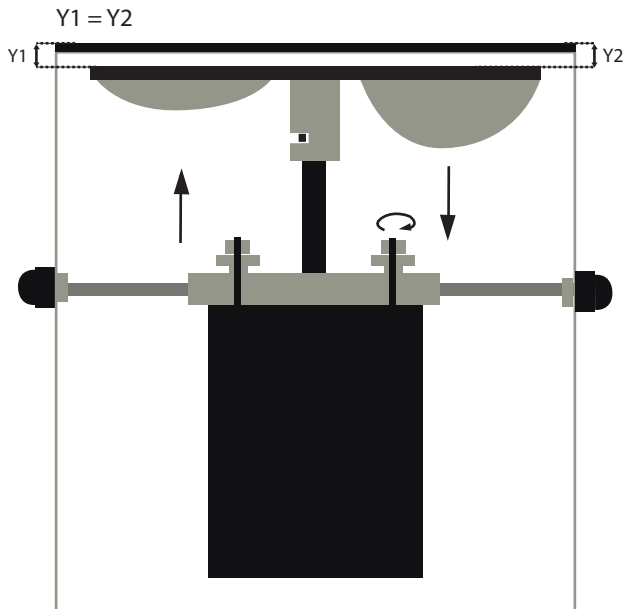
To adjust the blade, use the four hexagonal head bolts (M) on the top of the motor-hub to level out the distance between the blade and the grate (Y1 & Y2). To raise one side of the blade, turn the bolt (M) clockwise on the opposite side of the blade (see diagrams beside).



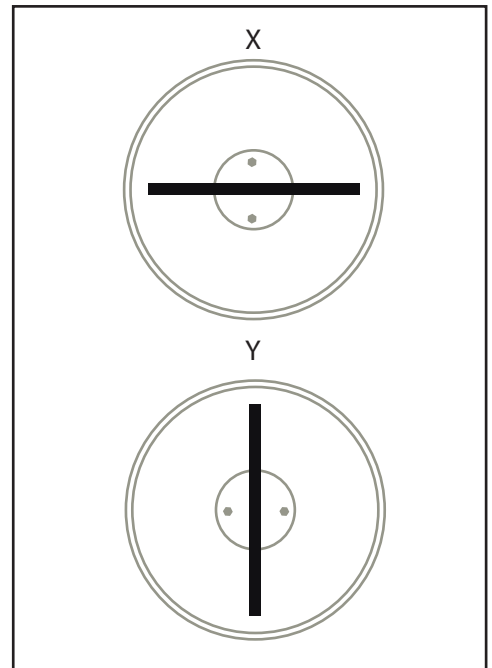
This levelling has to be done with the blade in two positions: X and Y (see diagram "Levelling in two positions" below) until a uniform distance between the blade and the grate is obtained.

When level, screw the four lock nuts (L) until they touch the hexagonal head bolts (M) without tightening them.

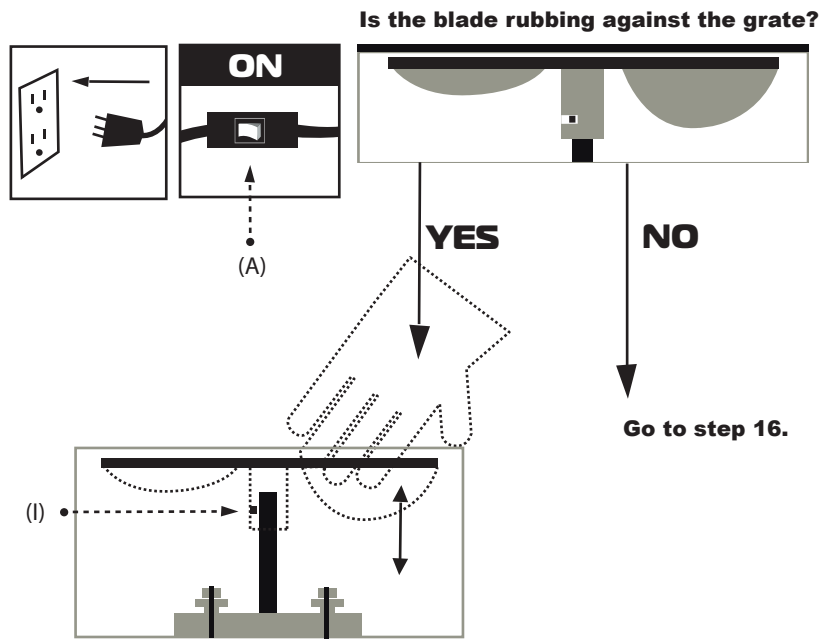
TO RAISE ONE SIDE OF THE BLADE, TURN THE BOLT CLOCKWISE ON THE OPPOSITE SIDE OF THE BLADE.



Levelling in two positions.



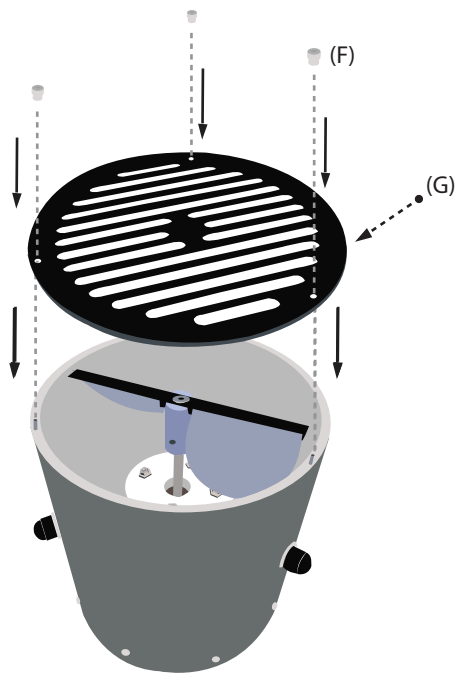
15



Plug the machine to the electrical outlet, switch ON the machine with the On-Off switch (A) and make sure the blade does not rub against the grate.

If the blade rubs against the grate, unplug the machine from the electrical outlet, remove the grate, loosen the blocking screw (I) and adjust the height to the desired distance.

16



Once the optimal height is achieved, install the grate with the 3 plastic nuts (F).